


WTC-15W Series

1-Channel Type

- 5V3A/9V1.6A/12V1.2A/15V1A/24V0.6A OUTPUT
- Wide full input range(AC85~264V)
- Over Current Protector
-  Approved

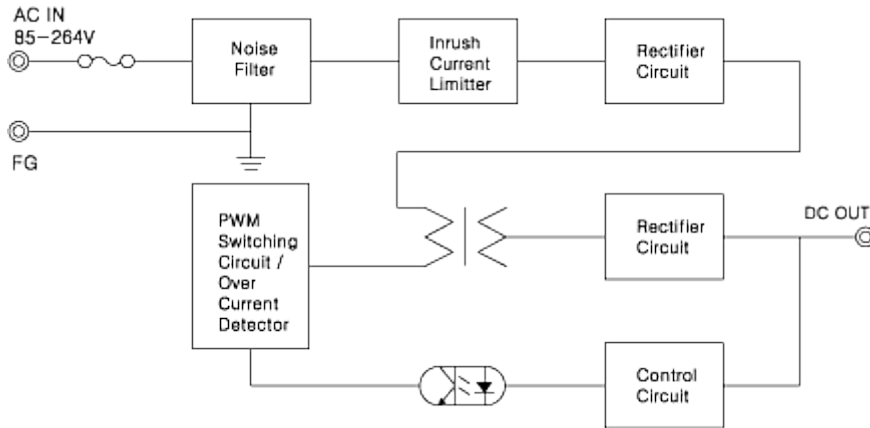


SPECIFICATIONS

MODEL		WTC-1505	WTC-1509	WTC-1512	WTC-1515	WTC-1524
INPUT	VOLTAGE	AC 85 ~ 264V or DC 125 ~ 370V 0.4A Type(ACIN 110V, Io=100%), 0.2A Type(ACIN 220V, Io=100%)				
	FREQUENCY	50/60Hz (47~63Hz or DC)				
	EFFICIENCY(TYP.)	70%	70%	75%	75%	78%
	INRUSH CURRENT	110VAC 20A / 220VAC 40A (Io=100%, Ta=25°C at cold start)				
OUTPUT	VOLTAGE(V)	5	9	12	15	24
	CURRENT(A)	3.0	1.6	1.2	1.0	0.6
	REGULATION LINE(mV)	25 Max	45 Max	60 Max	75 Max	120 Max
	REGULATION LOAD(mV)	50 Max	90 Max	120 Max	150 Max	240 Max
	RIPPLE (mVp-p)	50 Max	90 Max	120 Max	150 Max	240 Max
	RIPPLE NOISE (mVp-p)	100 Max	140 Max	170 Max	200 Max	290 Max
	TEMPERATURE DRIFT 0~50°C(mV)	50 Max	90 Max	120 Max	150 Max	240 Max
	RISE TIME(mS)	100 Max (AC IN 85V Io = 100%)				
	HOLDING TIME(mS)	15 typ(AC IN 85V Io = 100%)				
PROTECTION CIRCUIT	OVER CURRENT PROTECTION	Works at over 110% of rating and recovers automatically				
	OVER VOLTAGE PROTECTION	-				
ELECTRIC ISOLATED	INPUT-OUTPUT	AC 1,500V 1 Min, DC 500V 100Mohm (At room Temp. and Humid)				
	INPUT-CASE.FG	AC 1,500V 1 Min, DC 500V 100Mohm (At room Temp. and Humid)				

	OUTPUT-CASE	AC 500V 1 Min, DC 500V 100Mohm (At room Temp. and Humid)
OPERATING TEMP.AND HUMID		-10 ~ +50'C , 20 ~ 90% RH (Non Condensing)
STORAGE TEMP.AND HUMID		-20 ~ +75'C , 20 ~ 90% RH (Non Condensing)
COOLING		Convection cooling
ETC		-

Block Diagram



Dimension (Unit:mm, Tolerance:±1)

